



iTPC-H1012

V1.2

Ultra-Compact Panel PC



10.1" TFT Compact Panel PC

Intel® Celeron™ J3455, option Celeron™ J1900 , i5-7200U CPU

Fanless design

Support VESA mounting and Panel mounting



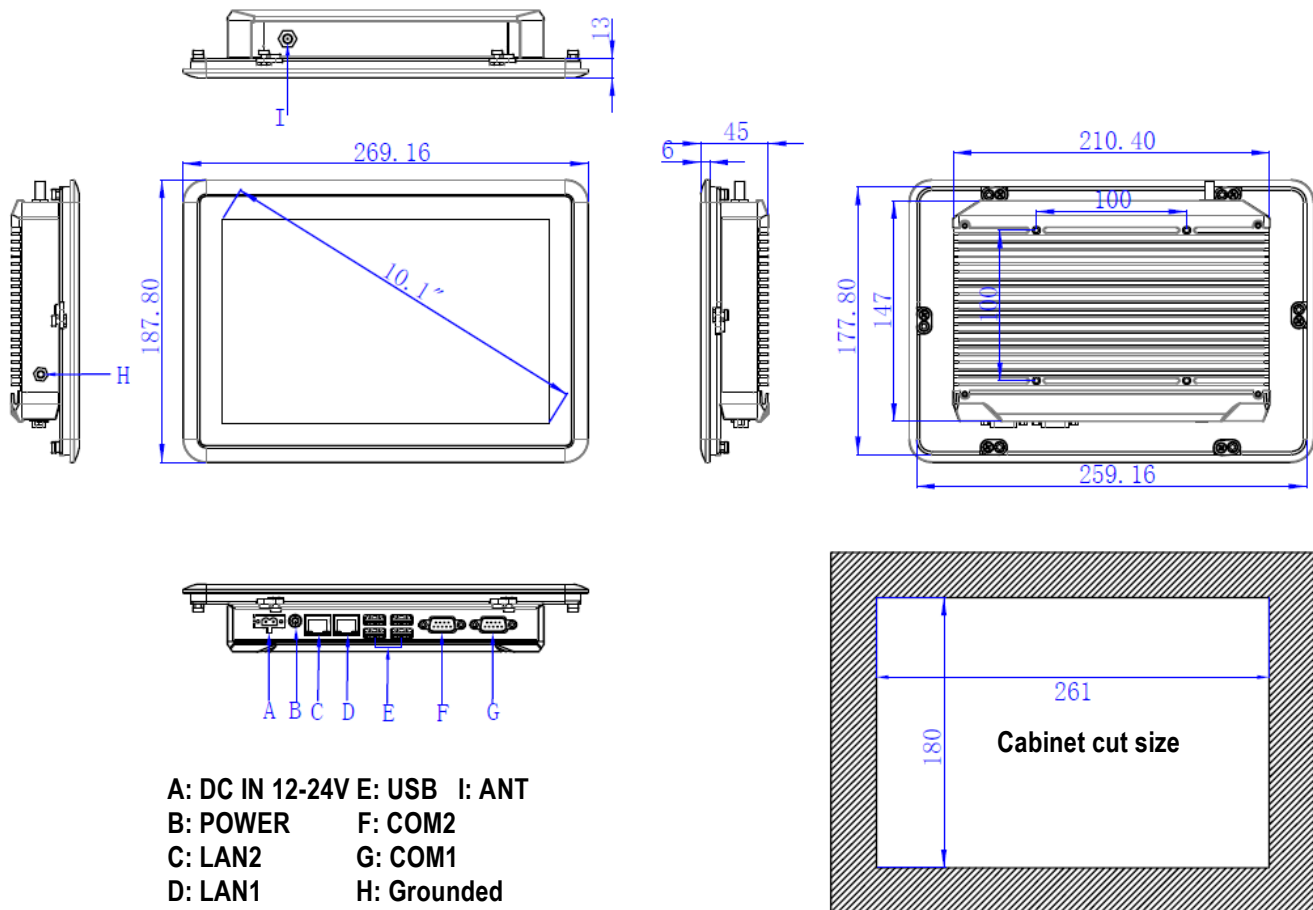


Specification :

Processor	CPU	Intel® Celeron J3455 / Celeron J1900 / i5-7200U
	Main Frequency	Quad Core 2.3GHz / Quad Core 2GHz / Dual Core 2.5 GHz
	L2 Cache	2MB/2MB/3MB
	Chipset	Apollo Lake/Intel Bay Trail/Integrated PCH-LP
	RAM	Support DDR3L-1333 MHz, 1 * 204-pin SODIMM, Up to 8GB
	Storage	1 * mSATA
Ethernet	LAN1	Intel i211 or i225 Gbe LAN controller, RJ-45
	LAN2	Intel i211 or i225 Gbe LAN controller, RJ-45
I/O	Audio	/
	Serial port	2 x RS-232(RS-485 in option) Interface with surge protection
	USB	1* USB3.0 , 3x USB2.0
	Rear I/O	2* GLAN/ 4*USB/ 2*COM/ DC IN
	Mini PCIe	1 * MINI- PCIe slot, extended to 3G and wifi card
OS	OS	Windows 7, Windows8, Windows10, Linux
Power	DC Input	12-24V DC
	Max. power consumption	38.6 Watt
LCD	LCD Type	10.1" TFT
	Resolution	1280 x 800
	Colors	16.7MB
	Active Area	216.96 × 135.6 mm
	Backlight	LED
	MTBF (hour)	15000hrs
	Pixel Pitch (H x V)	0.1695 x0.1695
	Luminance	350cd/m2
	Contrast Ratio	800:1
	Viewing Angle	(L)85/(R)85/(T)85/(B)85
Touchscreen	Screen type	Multi- points Capacitive touch screen
	Transmittance	> 87%
	Controller	USB interface
	Driver support	Windows 7, Windows8, Windows10, Linux
	Surface Hardness	Mohs Hardness 7H
	Multi-touch	10 points under Windows system
Physical	Size	269.16mm x 187.8mm x 45mm (W x H x D)
	Cabinet cut Size	261mm x 180mm (W x H)
	Net Weight	1.92kg
Environmental	Operating Temperature	-10 ~ 50° C (14 °F ~122 °F) Use a wide temperature grade SSD
	Storage Temperature	-20 ~ 70°C (-4 ~ 158 °F)
	Relative Humidity	10~95% RH@40°C,non-condensing
	Vibration	Operating Random Vibration Test 5~500Hz, 1.5Grms@with SSD, follow IEC 60068-2-64
	Shock	Operating 10G peak acceleration (11ms duration), follow IEC 60068-2-27
	EMC	CE/FCC Class A
Front Panel Protection	IP65 Compliant	

Dimension:

Unit: mm



Ordering Information:

Model	Specification
iTPC-H1012-J3455	10.1"LCD/Intel J3455 2.3GHz Quad core CPU / 2*RS232 (option RS485)/ 2*LAN /1*USB3.0/ 3*USB2.0/ Capacitive Touch/ Resolution 1280*800/DC12V-24V input
iTPC-H1012-J1900	10.1"LCD/Intel J1900 2.0GHz Quad core CPU / 2*RS232 (option RS485)/ 2*LAN /1*USB3.0/ 3*USB2.0/ Capacitive Touch/ Resolution 1280*800/DC12V-24V input
iTPC-H1012-SL7200U	10.1"LCD/Intel I5-7200U 2.5GHz Dual core CPU / 2*RS232 (option RS485)/ 2*LAN /1*USB3.0/ 3*USB2.0/ Capacitive Touch/ Resolution 1280*800/DC12V-24V input

Optional items :

Part No.	Specification
Memory	DDR3 2G/4G/8G
Storage	Mini SATA SSD64G/128G/256G/512G...
Adapter	Input: 100~240V~50/60Hz 1.7A Output:+12.0V—5A,60Watt
504020001	WIFI (7260 series) with antenna